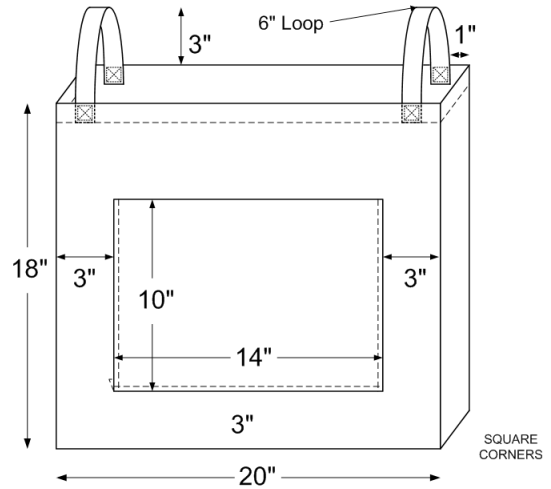


## WHEELCHAIR BAGS

FABRIC – Durable, serviceable heavy cotton, denim, upholstery

Finished size      20" wide x 18" long (deep)  
 Pocket              14" wide x 10" long(deep)  
 Handles (2)        1" wide x 8" long (cut 2)

Cut 21"wide x 40" long; pocket 15" w x 11" long, handles (2) 4" w x 8" long



Sew 1" hem on 21" ends of larger piece

Sew 1" hem on one 15" side of pocket piece, fold and sew 1/2" side seams

Fold body in half, wrong sides together. Measure up 3" from fold and mark. With directional fabric, make sure this side is right side up. Measure in from side 10-1/2" and mark center. Unfold and lay flat.

Right sides together, center raw bottom edge of pocket on this mark facing top of bag, and sew across to attach, leaving 1/2" seam allowance.

Fold up and topstitch across bottom. Topstitch both sides to body.

Fold handles in half the long way, then fold raw edges to center. Stitch both edges.

Measure in 1" from each side seam of bag at top and attach one end of each handle to inside of SAME SIDE of bag. Use X-in-the-box method.

Fold body right sides together and sew side seams, catching LABEL in side seam at hem. Square bottom corners.

Sew loose end of each handle to inside of OPPOSITE side of bag. You will have a 6" LOOP when finished. Handle will measure 3" tall. Press bag if needed.